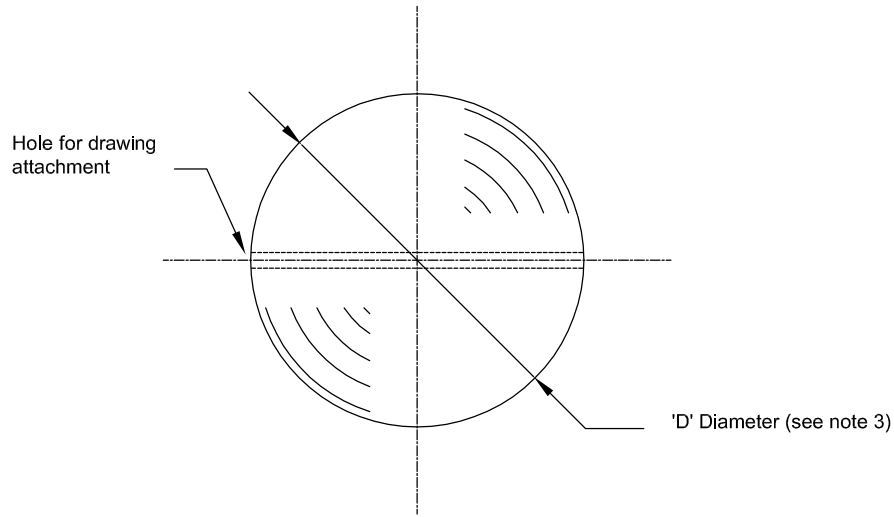
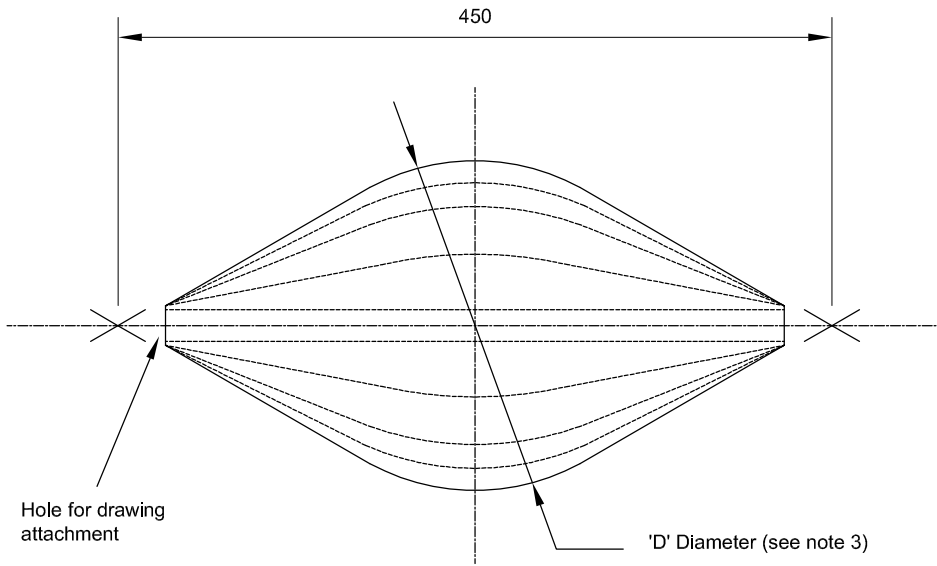


NOTES

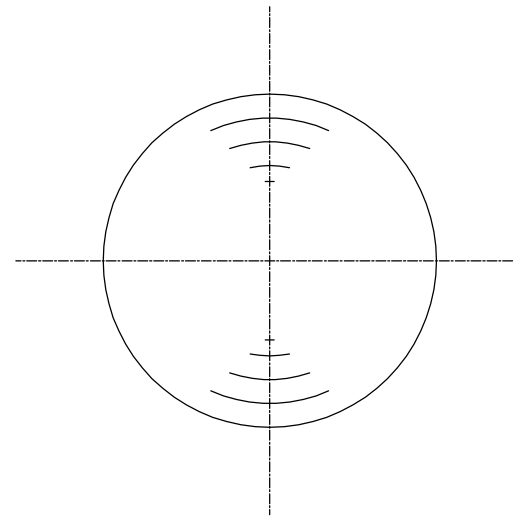
1. All dimensions are in millimetres unless otherwise stated.
2. For use in drains not exceeding 350mm dia..
3. 'D' = nominal internal pipe diameter less 20mm.
4. Mandrel can be spherical or conical and may be manufactured of any rigid material.



SPHERICAL



CONICAL



END VIEW

No.	Date	Description
		AMENDMENTS

HIGHWAY CONSTRUCTION DETAILS

DRAINAGE

MANDREL (FOR USE IN DRAINS)

Drawing No.

F82