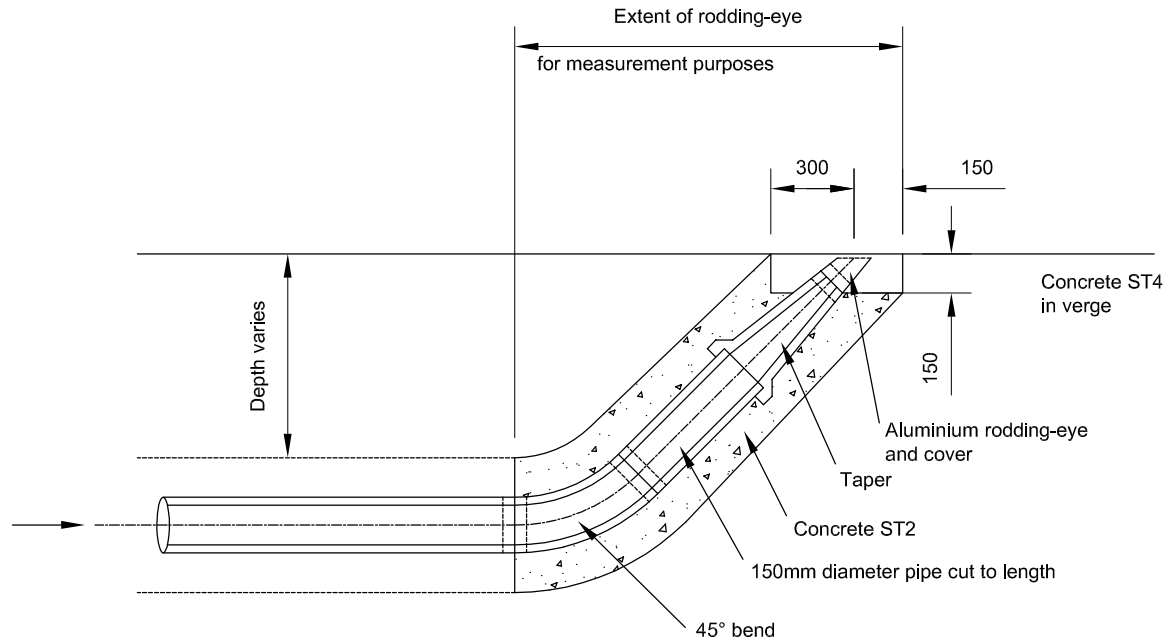


NOTES

1. All dimensions are in millimetres unless otherwise stated.

Drain as described in Appendix 5/1



No.	Date	Description
↑		AMENDMENTS

HIGHWAY CONSTRUCTION DETAILS

DRAINAGE

RODDING-EYE DETAIL

Drawing No.

F84