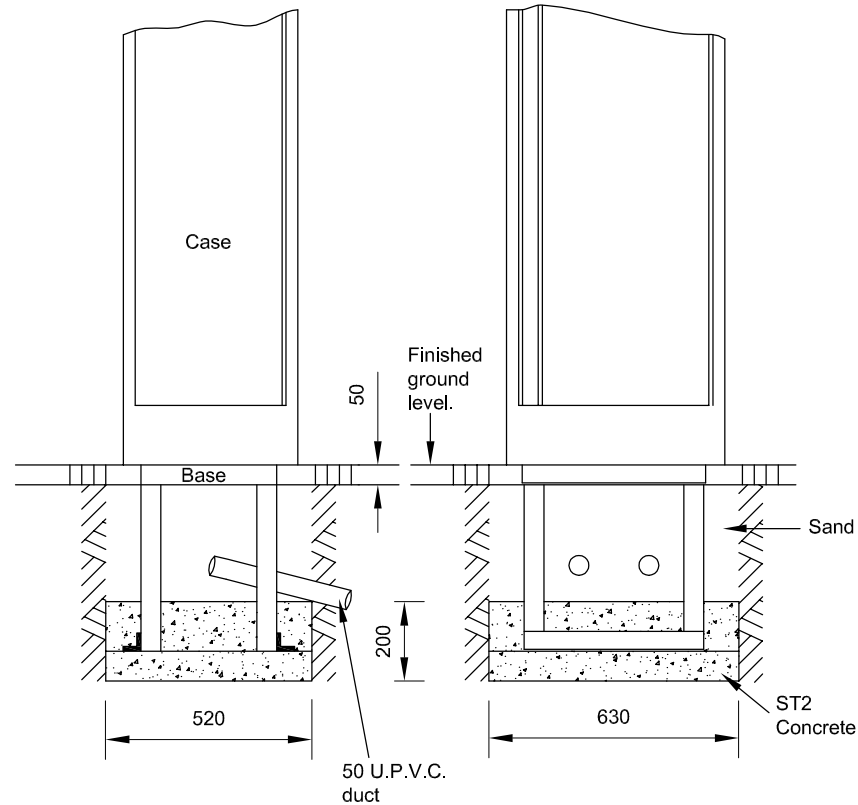
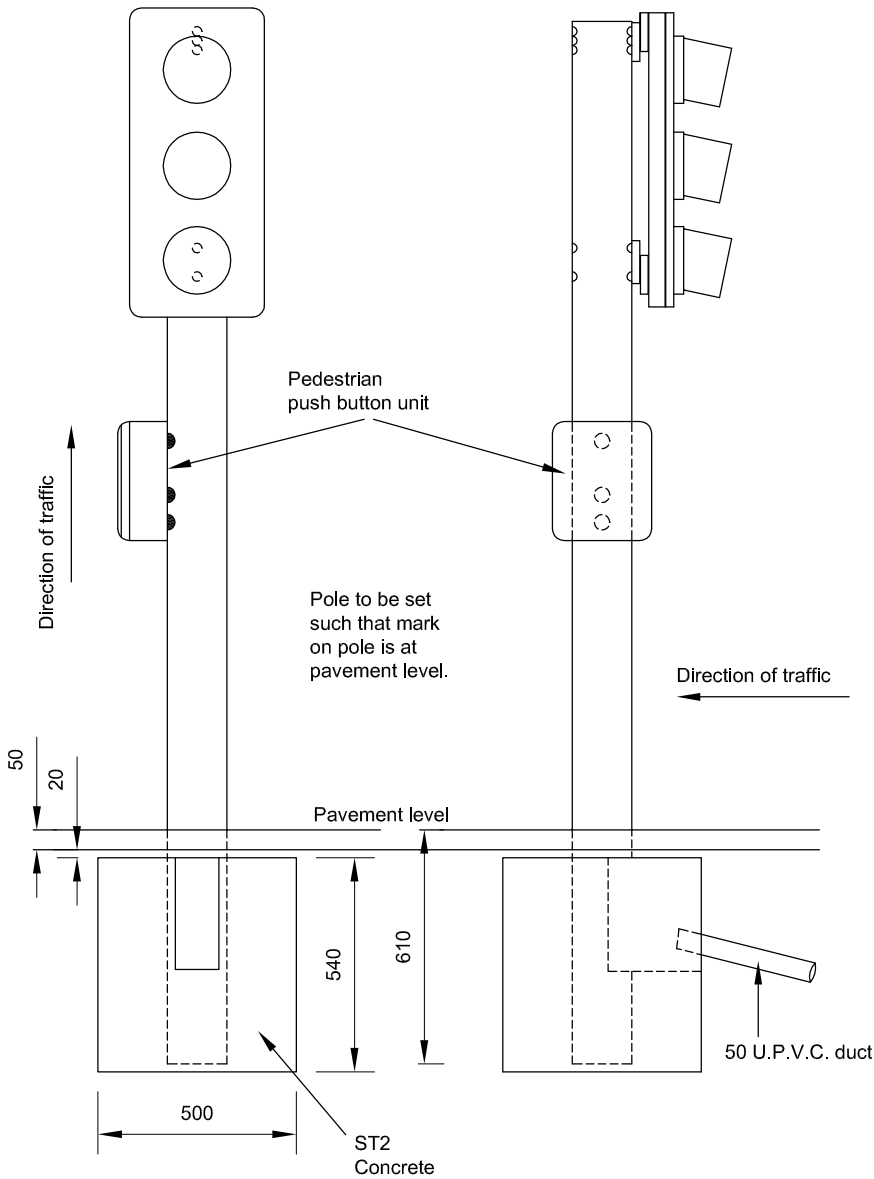


NOTES

1. All dimensions are in millimetres unless otherwise stated.



SIDE VIEW

FRONT VIEW

HIGHWAY CONSTRUCTION DETAILS

TRAFFIC SIGNS

TRAFFIC SIGNAL & CONTROLLER
INSTALLATION

| No. | Date | Description |
|-----|------|-------------|
| | | AMENDMENTS |

Drawing No.

K78