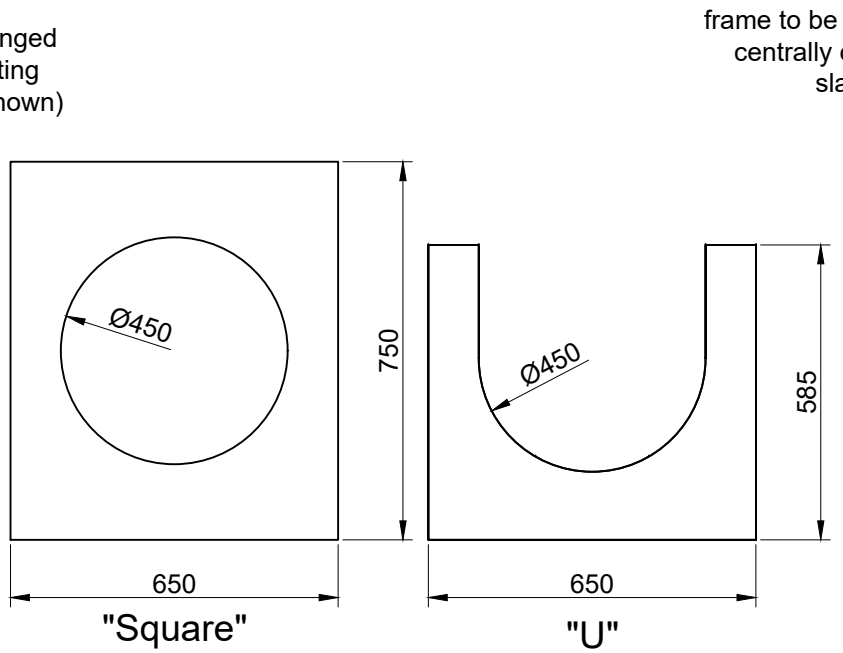
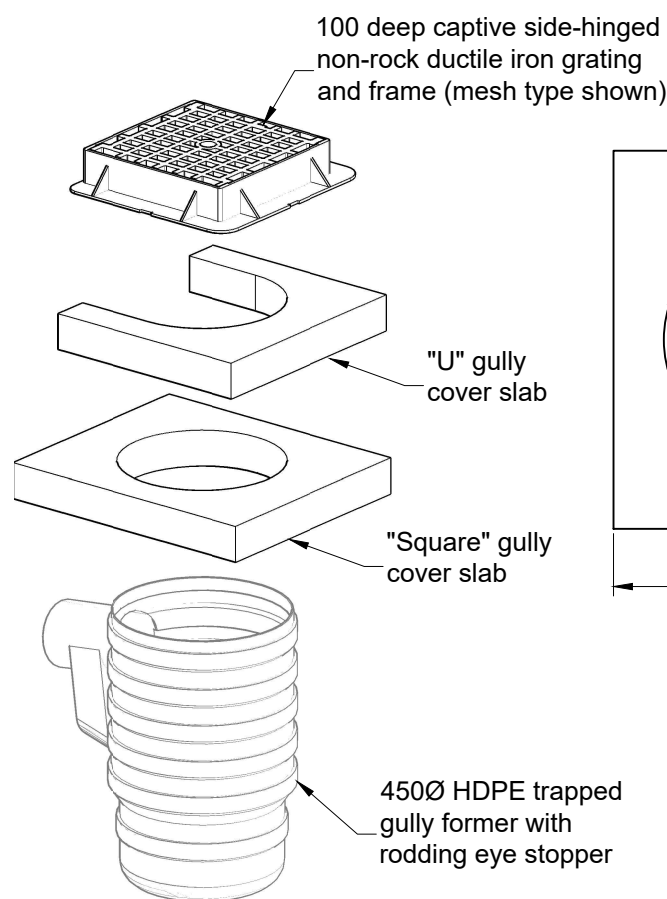
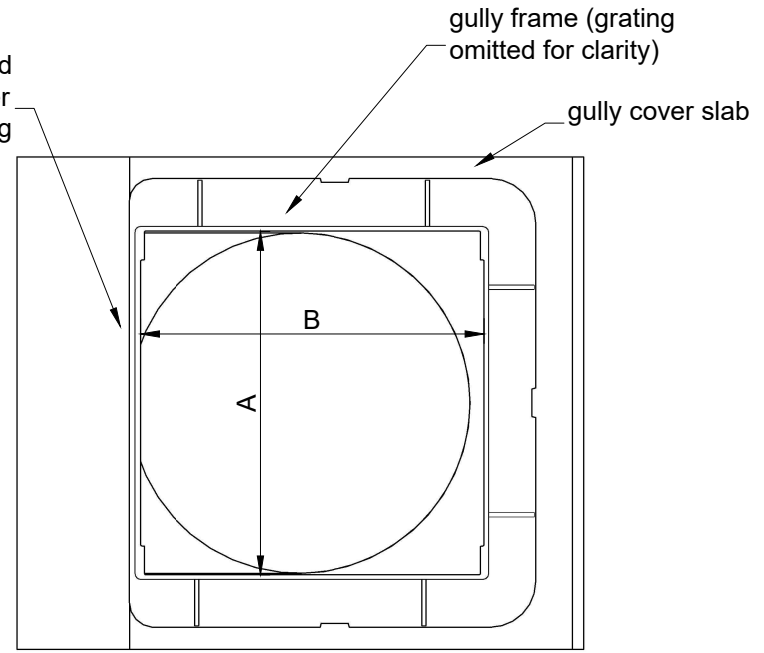


- NOTES:
- All dimensions in millimetres.
 - Grating and frame to be at least Class D400 in accordance with BS EN 124 and be marked with kitemark. Grating shall meet requirements for Type R classification in accordance with CD 256. Hinge must be located on side nearest to approaching traffic. Mesh-type grating to be used in shared surfaces and other areas where pedestrian activity would be expected.
 - Gully cover slabs to be 100 thick and comply with BS 5911-6.
 - Gully former to have current HAPAS certificate.
 - Concrete surround to gullies shall fill the whole void between the gully pot and the face of the excavation. The concrete shall be compacted by a vibrating poker to remove voids.
 - The concrete gully slab shall not overhang the inner rim of the gully pot by more than 30mm at any point.
 - Concrete surround to outlet pipe to continue to a depth of cover of at least 900 below earthworks outline.
 - Bedding materials shall be non-shrink with a minimum workable life of 15 minutes, a compressive strength exceeding 30N/mm² in three hours, a tensile strength exceeding 5N/mm² in three hours and shall be laid strictly in accordance with the manufacturers' recommendations. Bedding materials shall have a current HAPAS certificate for this use.
 - Accurate setting out for position, depth and crossfall will be necessary to comply with this detail. Packing materials shall not be permitted in new gully installations.
 - The Contractor/ Developer shall provide a pump or gully emptier vehicle and operator(s) to enable a complete internal inspection of the gully at the end of the maintenance period at a time and date agreed with the Engineer's Representative. Costs shall be borne by the Contractor/ Developer.



GULLY COVER SLAB



Clear opening dimension requirements:
 $445 \leq A \leq 455$
 $445 \leq B \leq 455$

a	References updated, Note 2 revised.	04/21
Rev	Amendment	Date

Aberdeenshire
COUNCIL

Standard Details

DRAINAGE

Scale: Not to scale

TRAPPED STREET GULLY (KERBSIDE)

Date: November 2016

Drawing Number: SD 5/02